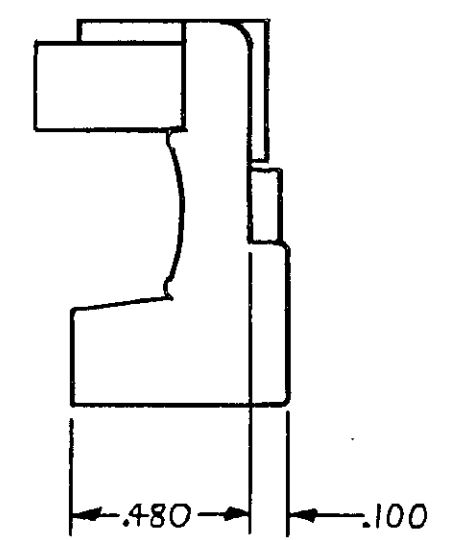
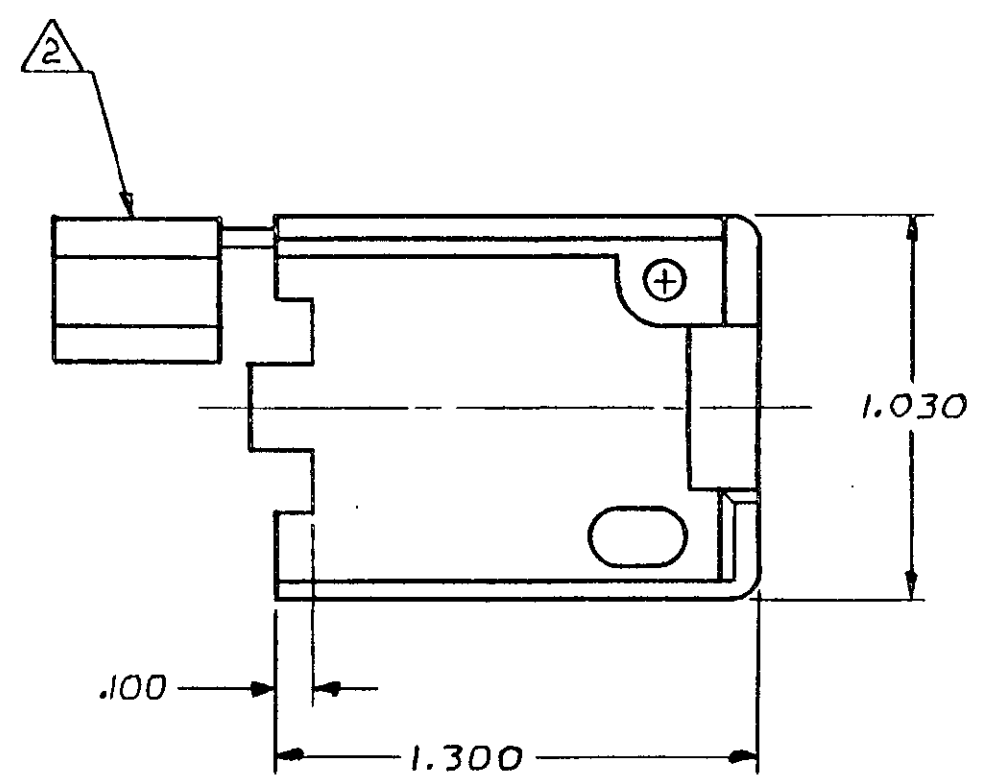
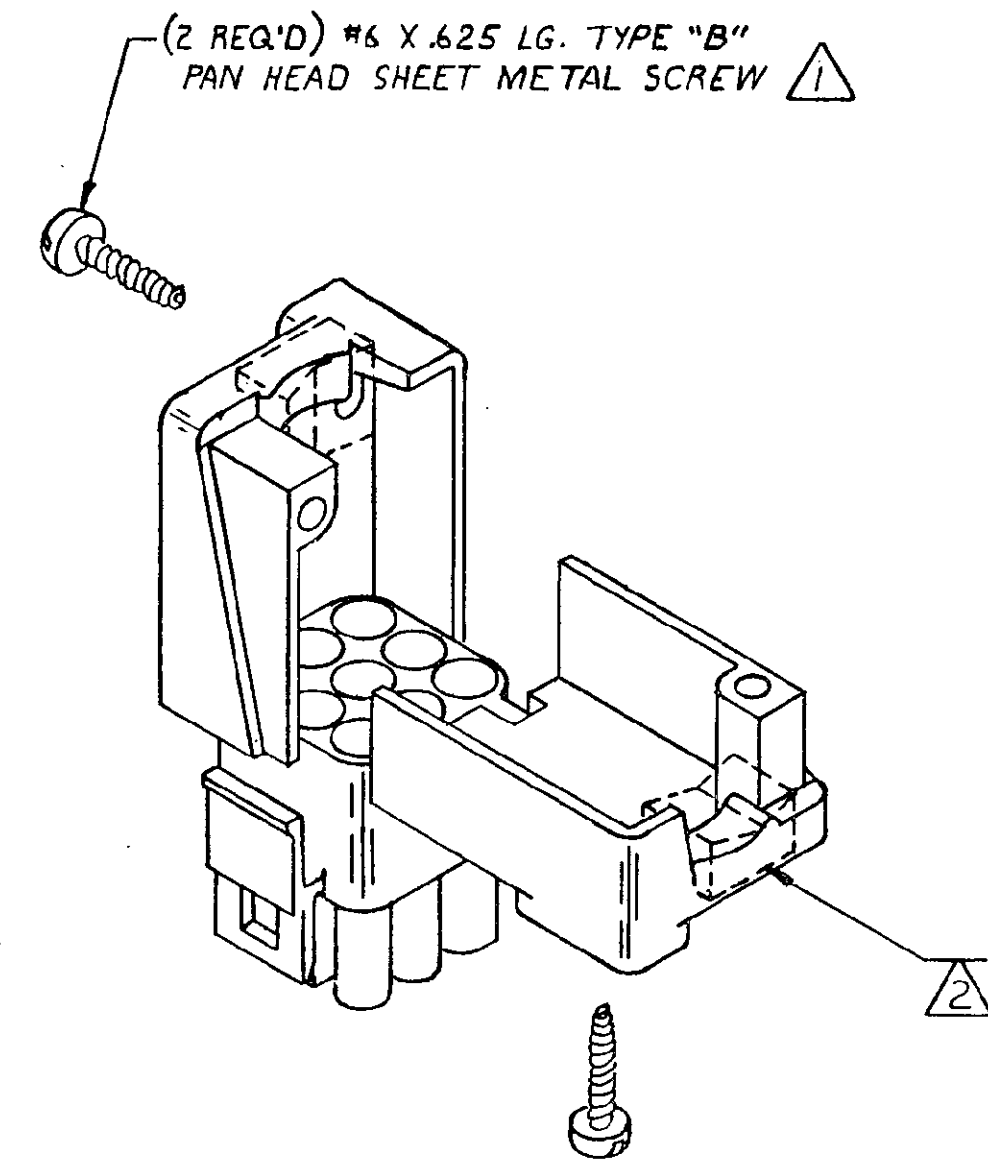
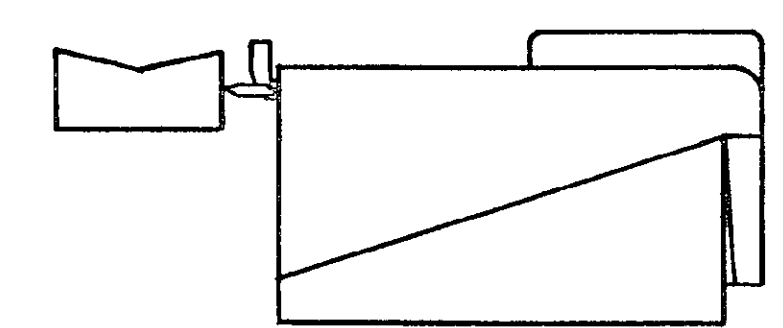


REVISIONS						
P	F	ZONE	LTR	DESCRIPTION	DATE	APPROVED
✓	✓		C1	REVISED PER ECO-11-005294	12APR11	HMR

- ⚠ SHEET METAL SCREWS NOT SUPPLIED.
 - ⚠ INSERT IS ATTACHED TO STRAIN RELIEF AS AN ADDITIONAL ADJUSTMENT FOR SMALL WIRE BUNDLES, IT SHOULD BE CUT OFF AND POSITIONED AS SHOWN BY DOTTED LINES.
 - ⚠ TWO REQUIRED PER CONNECTOR.
4. DETACHABLE INSERT MAY SEPARATE FROM STRAIN RELIEF BODY DURING SHIPPING.



NYLON 94V-0	640716-1	3
MATERIAL	PART NC	

	WIRE BUNDLE DIA
WITHOUT INSERT	.650 MAX.
WITH INSERT	.120 MIN.

UNLESS OTHERWISE SPECIFIED DIMENSIONS ARE IN INCHES.		CONTRACT NO
TOLERANCES ON:		DR M. FEHER 3-12-79
DECIMALS	± .015	CHK D.S. Heide 3/22/79
ANGLES	±	APPD J.C. Smith 3-22-79
MATERIAL	SEE TABLE	DSGN APPD
FINISH	SEE TABLE	OTHER APPD

STE TE Connectivity		
NAME STRAIN RELIEF FOR 9 CIRCUIT UNIVERSAL MATE-N-LOK™ CONNECTOR		
SIZE	CODE IDENT NO	DRAWING NO
C	00779	640716
SCALE 2-1	SHEET 1 OF 1	